

Omnidirectional Antennas

Vertical Polarization

370...470

V

KATHREIN

380 – 500 MHz

848114: 1-Port Omni Antenna 370–430 0.5m 360° 2dBi

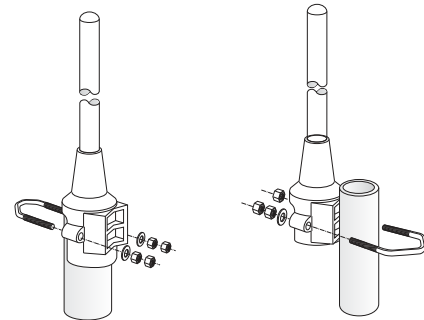
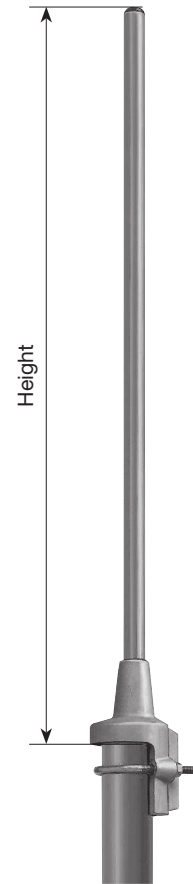
K862232: 1-Port Omni Antenna 406–470 0.5m 360° 2dBi

Type No.	848114	K862232
Frequency range	370 – 430 MHz	406 – 470 MHz
Polarization	Vertical	
Gain	2 dBi	
Impedance	50 Ω	
VSWR	370 – 380 MHz: < 1.6 380 – 430 MHz: < 1.5	< 1.5
Intermodulation IM3	< -150 dBc (2 x 37 dBm carrier)	
Max. power	100 W (at 50 °C ambient temperature)	

Material: Radiator: Brass.
Radome: Fiberglass, dia. 21 mm, colour: Grey.
Base: Aluminum.
Mounting U-bolt and all screws and nuts: Stainless steel.

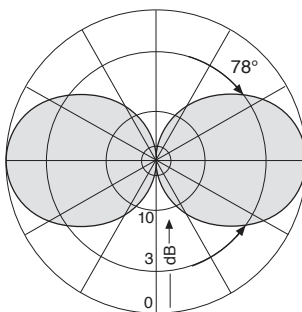
Mounting: The antenna can be attached in two ways with the supplied mounting kit:
1. On the tip of a tubular mast of 40 – 54 mm diameter (connecting cable runs inside the mast).
2. Laterally at the tip of a tubular mast of 20 – 54 mm diameter (connecting cable runs outside the mast).

Grounding: All metal parts of the antenna including the mounting kit are DC grounded.



On the tip of a tubular mast

Laterally at the tip of a tubular mast



Vertical Pattern

Mechanical specifications		848114	K862232
Input		N female	
Connector position		Bottom	
Wind load (at 150 km/h)	N	20	
	lbf	4	
Max. wind velocity	km/h	200	
	mph	124	
Radome diameter	mm	21	
	inches	2.0	
Weight	kg	1.0	0.8
	lb	2.2	1.7
Height	mm	555	515
	inches	21.9	20.3
Packing size	mm	112 x 97 x 654	112 x 97 x 614
	inches	4.4 x 3.8 x 25.7	4.4 x 3.8 x 24.2